

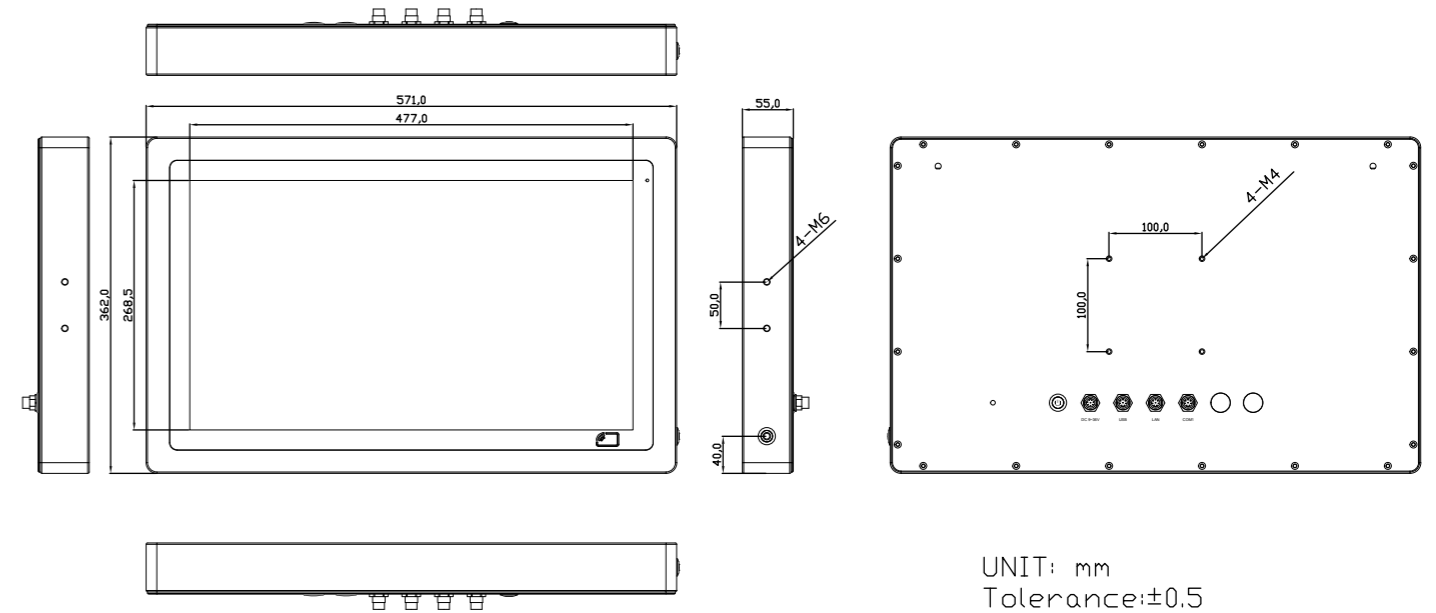
Features

- 21.5" New Generation Stainless Steel Panel PC
- 12th/13th Gen. Intel Core i3/i5 BGA Type Processor
- True Flat Front Bezel Design and Grade 304 Stainless Steel Enclosure (Grade 316 for Option)
- IP66/IP69K Rated with M12 Connectors
- Support Resistive Touch, Projected Capacitive Touch
- Touch on/off Button on the Side Edge for Hygienic Cleaning
- Support Ergonomic Versatile Mounting: Yoke Mounting / Space-saving VESA 100 x 100mm Mounting

Specifications

System		
CPU	Intel Core i3-1215U Processor, 6C8T, 10M Cache, 1.2GHz (4.4GHz) Intel Core i5-1235U Processor, 10C12T, 10M Cache, 1.3GHz (4.4GHz)	
System Chipset	SoC	
Memory	2 x 260-pin SO-DIMM up to 64GB DDR4 3200MHz	
TPM	TPM 2.0	
IO Port		
USB	1 x M12 8-pin for USB 2.0 with waterproof cover	
Serial / Parallel	1 x M12 8-pin COM1, RS-232/422/485, default RS-232, with waterproof cover	
LAN	1 x M12 8-pin for LAN with waterproof cover	
Others	1 x Touch on/off button at the side	
Power Connector	1 x M12 3-pin for DC power with waterproof cover 1 x Power switch on the rear	
Option	2 x optional blank M12 connector with waterproof cover for selecting two from the following options: 2 x USB 2.0 1 x USB 3.0 1 x LAN 1 x COM	
Storage Space		
M.2	1 x M.2 2280 M-Key (PCIex4)	
Expansion		
Expansion slot	1 x M.2 3402/3052 B-key (PCIe x1, USB3.2 Gen1) for optional LTE/5G module 1 x M.2 2230 E-Key (USB2.0, PCIe x1) for optional Wi-Fi/BT module 1 x Nano-SIM card	
RFID module	RFID module design on the front side (for option)	
Display		
	Standard	High Brightness Optional
Display Type	21.5" TFT-LCD	21.5" TFT-LCD
Max. Resolution	1920 x 1080	1920 x 1080
Max. Color	16.7M	16.7M
Luminance (cd/m ²)	250	1000
View Angle	178(H) /178(V)	178(H) /178(V)
Contrast	1000:1	1000:1
Backlight Lifetime	50,000 hrs	50,000 hrs
Touch Screen		
Type	Resistive Touch (for DR model) Projected Capacitive Touch (for DP model)	
Interface	USB	
Light Transmission(%)	Resistive Touch : 80% Projected Capacitive Touch : 90%	

Dimensions



UNIT: mm
Tolerance:±0.5

Power	
Power Input	DC 9~36V
Power Consumption	89.06W
Mechanical	
Construction	304 Stainless steel chassis(default), 316 Stainless steel chassis(optional)
Mounting	VESA mount 100 x 100, Yoke mount for optional
IP Rating	Total IP66/IP69K
Dimensions	571 x 362 x 55 mm
Net Weight	9.75 kg
Environmental	
Operating Temperature	0~50°C
Storage Temperature	-30~70°C
Humidity	10 to 95% @ 40°C, non-condensing
Certificate	CE/FCC Class A
Operating System Support	
Windows 10, Windows 11	
Accessory	
1 x M12 USB2.0 Y-Cable, L=3M	
Ordering Information	
ViTAM-921DP	21.5" FHD IP66/IP69K stainless steel panel pc, Intel 12th/13th Gen. Core i Processor, 2 x SO-DIMM DDR4 slots, 128GB TLC SSD, projected capacitive touch, 9~36V DC power input with Adapter
ViTAM-921DR	21.5" FHD IP66/IP69K stainless steel panel pc, Intel 12th/13th Gen. Core i Processor, 2 x SO-DIMM DDR4 slots, 128GB TLC SSD, 5 wire resistive touch window, 9~36V DC power input with Adapter
ViTAM-921DPH	21.5" FHD1000 nits IP66/IP69K stainless steel panel pc, Intel 12th/13th Gen. Core i Processor, 2 x SO-DIMM DDR4 slots, 128GB TLC SSD, projected capacitive touch, 9~36V DC power input with Adapter
ViTAM-921DRH	21.5" FHD1000 nits IP66/IP69K stainless steel panel pc, Intel 12th/13th Gen. Core i Processor, 2 x SO-DIMM DDR4 slots, 128GB TLC SSD, 5 wire resistive touch window, 9~36V DC power input with Adapter