

# APC-2138

21.5" 11th Gen Intel® Core™ Processor i5/i3 Expandable  
Ultra light Multi-Touch Fanless Panel PC



## Features

- 11th Generation Intel® Core™ i3/i5 Processors
- 21.5" PCAP multi touch
- 2 x 260-pin DDR4 3200 MHz SO-DIMM supports up to 64GB
- 2 x GLAN, 2 x DP++, 4 x USB
- 2 x 2W speakers
- Front IP65, fanless system & VESA compliance
- 1 x 2.5" SSD w/service window
- Optional WiFi 802.11 ac/a/b/g/n



+12V ~ +24V



PCAP multi-touch



Fanless



Wide Temp.  
-10°C ~ 50°C



Front IP65

## Specifications

### System Information

Processor	Intel® Core™ i5-1135G7 (up to 4.2GHz, quad-core, 8M Cache, TDP: 15W) Intel® Core™ i3-1115G4 (up to 3.0GHz, dual-core, 6M Cache, TDP: 15W)
Platform Controller Hub	Intel® Tiger Lake SoC integrated
System Memory	2 x 260-pin DDR4 3200 MHz SO-DIMM supports up to 64GB (non ECC only)
I/O Chipset	EC iTE IT8528E
Watchdog Timer	H/W reset: 1sec. ~ 65535sec./min. and 1sec. or 1min./step
H/W Status Monitor	CPU temperature monitoring, Voltages monitoring CPU fan speed control
TPM	Onboard NuvoTon NPCT754AADYX support TPM 2.0
SBC	EMX-TGLC / EMX-TGLP

### Expansion

Expansion	1 x M.2 type B 3042/3052/2242/2260/2280 support WWAN+GNSS or NVMe SSD 1 x M.2 Key E 2230 support WiFi module and CNVI (1 x PCI-e x1 & USB 2.0 signal)
-----------	--

### Storage

Storage	1 x 2.5 Drive bay, 1 x M.2 slot
---------	---------------------------------

### Display

Graphic Chipset	Intel® 11th Generation CPU integrated
Spec. & Resolution	DP1+DP2 (DP1.4): Max: 7680 x 4329@60 Hz DP3+DP4 (DP1.4): Max: 7680 x 4329@60 Hz Single DP port (2021/2 Lab test): 5120 x 2160 @60 Hz, DVT check Max: 7680 x 4329@60 Hz Note: This resolution is actual test result. Intel resolution as below: 2 x DP++ : 1920 x 1080@60 Hz 2 x DP: 4096 x 2304@60 Hz LVDS: 1920 x 1080 Dual channel 18/24-bits LVDS (chrontel CH7511B eDP to LVDS) eDP 4096 x 2304@60 Hz *2 x DP++, LVDS, eDP default (thin mini ITX), optional: DP3 and DP4 for full height (Maximum: 6 for quadruple independent displays)

### Audio

Audio Codec	Realtek ALC888S
-------------	-----------------

Speaker Output	2 x 2W
----------------	--------

### Ethernet

LAN Chipset	1 x Intel® I225IT 2.5 Gigabit Ethernet 1 x Intel® I219LM Gigabit Ethernet PHY
Ethernet Interface	10/100/1000 Base-Tx GbE compatible

### Power Requirement

DC Input	+12V ~ +24V
DC Input Connector	4-pin din

### Software Support

OS	Win10 / Win11
----	---------------

### Certification

Certification Information	CE, FCC Class B, VCCI
---------------------------	-----------------------

### Panel

LCD Size;Display Type	21.5"; Full HD
Resolution	1920 x 1080
Pixel pitch	248.25um(H) x 248.25um(V)
Luminance	250 cd/m <sup>2</sup>
Contrast ratio	3000
Viewing angle	89 (U), 89 (D), 89 (L), 89 (R)
Response time	18ms
Backlight	LED
Touch Type	Projective capacitive multi-touch up to 10 points
Touch Light Transmission	89%

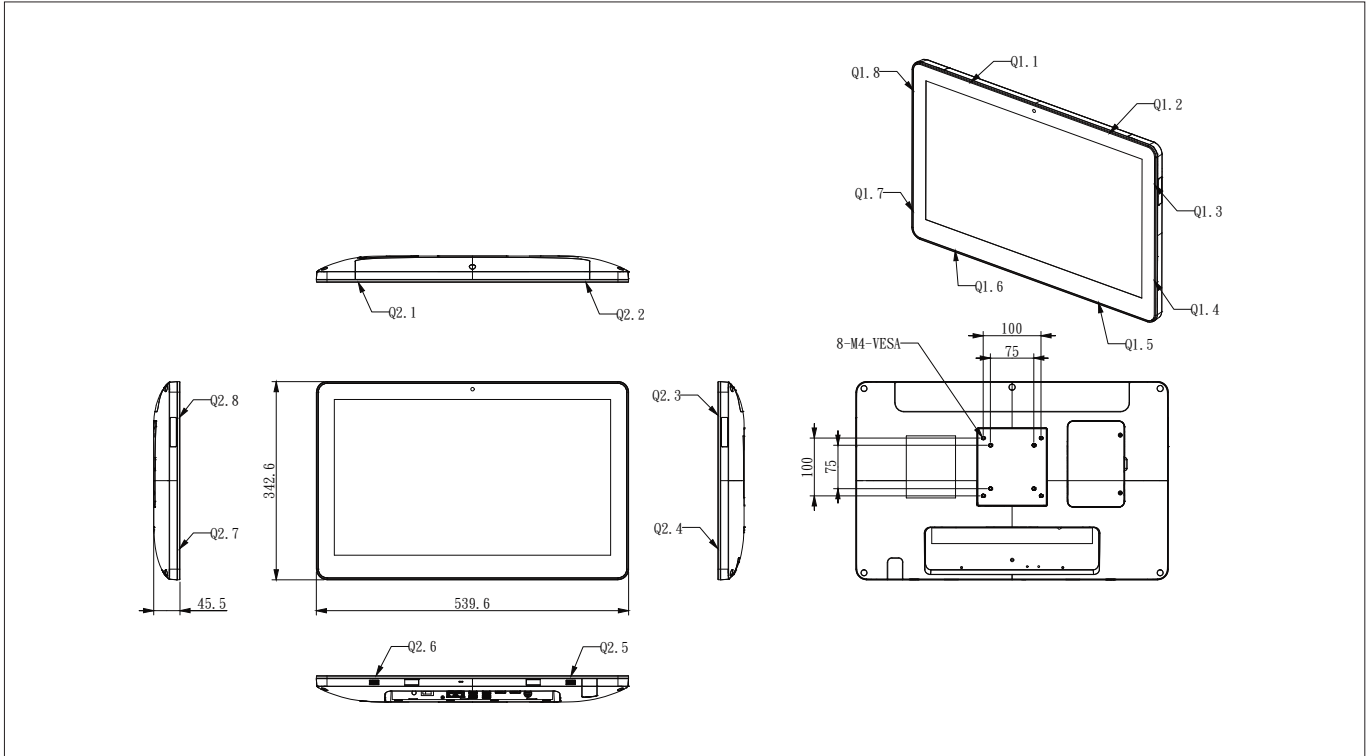
### External I/O

USB	4 x USB 3.0
LAN Port	2 x LAN
Display Port	2 x DP++
DC input	24V DC in
Switch	Power switch
LED indicator	Power LED

### Mechanical & Environmental

Operating Temp.	0°C ~ 40°C (32°F ~ 104°F)
Storage Temp.	-10°C ~ 60°C (14°F ~ 140°F)
Operating Humidity	0% @ 90% Relative humidity, non-condensing
Dimension	539.6 x 342.6 x 45.2 mm
Weight	6.3 Kg
Vibration Test	With SSD/mSATA : 1.5Grms, IEC 60068-2-64, random, 5 ~ 500Hz, 30min/axis
Shock Test	With CF/SSD : 10Grms, IEC 60068-2-27, half sine, 11ms
IP Rating	Front IP65
Mounting Kit	Wall / Stand / VESA 75mm x 75mm, 100mm x 100mm
Power Mode	AT/ATX
Construction	Plastic- black(Front), Plastic- black(Rear)
Adapter	Input:100 ~ 240Vac/ 50 ~ 60Hz Output:90W adapter (24V @ 3.75A adapter) AC-DC adapter

## Mechanical Drawing



## Ordering Information

P/N	Touch Type	Processor	Memory	Storage	Resolution	Luminance	COM	USB	LAN	Power Input	Working Temp.	OS Support
APC-2138-C15-A1R	PCAP	i3-1115G4	4GB	N/A	1920 x 1080	250	0	4	2	+12V ~ +24V	0°C ~ 40°C	Win10 / 11
APC-2138-C35-A1R	PCAP	i5-1135G7	4GB	N/A	1920 x 1080	250	0	4	2	+12V ~ +24V	0°C ~ 40°C	Win10 / 11
APC-2138-S15-A1R	PCAP	i3-1115G4E	4GB	N/A	1920 x 1080	250	0	4	2	+12V ~ +24V	0°C ~ 40°C	Win10 / 11
APC-2138-S45-A1R	PCAP	i5-1145G7E	4GB	N/A	1920 x 1080	250	0	4	2	+12V ~ +24V	0°C ~ 40°C	Win10 / 11

## Packing List

Item	P/N	Quantity
AC/DC adapter 24V/3.75A PWR DIN Plug	ACC-ADP-090N-06R	1
Screw for VESA M4x6	ACC-SCREW-0002R	4
Screw for HDD M3x4 (for APC-2138-S45-A1R)	ACC-SCREW-0003R	4

## Optional Items

Item	P/N
EU Power Cord	E170203183DR
US Power Cord	E1702031835R
JP Power Cord	E17120318001R
UK Power Cord	E170P060370R

## I/O Overview

